

Operating manual

Water Treatment System

MELAdem[®] 40

As of SN 0640MD1961

Dear Doctor:

Thank you very much for the trust which you have shown by purchasing this water treatment system from MELAG.

For more than 55 years now, MELAG — a medium-sized family-owned and -operated business — has specialised in the production of sterilization equipment for medical practice. During this period, MELAG has succeeded in becoming a leading manufacturer of sterilization equipment. More than 420,000 MELAG sterilization units sold throughout the world testify to the exceptional quality of our products — which are manufactured exclusively in Germany.

This water treatment system was manufactured and tested according to strict quality criteria. Before placing this unit into operation, please thoroughly read this Operating Manual. The long-term functional effectiveness and the preservation of the value of your water treatment system will primarily depend on regular maintenance of this unit.

The staff and management of MELAG

Content

1	METHOD OF OPERATION OF THE SYSTEM	3
2	DESIGN OF THE SYSTEM	4
3	INSTALLATION AND CONNECTION OF THE SYSTEM	5
3.1	Possible ways of installing and connecting the MELAdem®40	5
3.2	Pressure of tap water	6
3.3	Installation of the MELAdem®40 to a wall	6
3.4	Installation of MELAdem®40 to the Vacuklav®40-B/44-B.....	7
3.5	Installation of MELAdem®40 to the Vacuquick®13-B / Vacuquick®14-B	9
3.6	Installation of the MELAdem®40 onto other MELAG autoclaves	11
3.7	Connection of MELAdem®40 directly to the tap-water mains	11
3.7.1	Conformity with the hygienic stipulations of EN 1717.....	11
3.7.2	Connection to tap-water mains	12
3.7.3	Installation of the water quality monitor (optional)	14
3.8	Connection of the MELAdem®40 to the Vacuklav®40-B / 44-B.....	15
3.9	Connection of MELAdem®40 to the Vacuquick®14-B	16
3.10	Connection of MELAdem®40 to the Vacuklav®41-B / Vacuklav®43-B	17
3.11	Connection of the MELAdem®40 to the Vacuquick®13-B	18
4	PUTTING INTO OPERATION	19
5	MAINTENANCE INSTRUCTIONS	19
5.1	Exchanging the mixed-bed-resin cartridges.....	20
5.1.1	Complete exchange of the mixed-bed-resin cartridges	20
5.1.2	Safe and water-tight closing of the cartridge housings	21
6	TECHNICAL DATA	22
7	CONSUMABLES AND SPARE PARTS	22

Abbildungen

Figure 1:	View of the interior of the MELAdem®40.....	4
Figure 2:	Incoming and outgoing positions of the hoses.....	5
Figure 3:	Types of Installation of MELAdem®40	6
Figure 4:	Removal of the cover pieces before mounting the MELAdem®40.....	7
Figure 5:	Position for hanging the MELAdem®40 to the Vacuklav®40-B / Vacuklav®44-B	7
Figure 6:	Correct position of MELAdem®40 on the housing of Vacuklav®40-B / Vacuklav®44-B	8
Figure 7:	Housing from the rear, with mounting fixtures and adapter plate in final position	9
Figure 8:	MELAdem®40 before attachment to the adapter plate	10
Figure 9:	Correct position of the MELAdem®40 to the Vacuquick®13-B / Vacuquick®14-B.....	10
Figure 10:	Mounting fixture for MELAdem®40.....	11
Figure 11:	Two possibilities of connecting MELAdem®40 directly to the tap-water mains	12
Figure 12:	Threading connections of the hoses of MELAdem®40	13
Figure 13:	Connection of MELAdem®40 to the Vacuklav®40-B / 44-B	15
Figure 14:	Connection of MELAdem®40 to the Vacuquick®14-B	16
Figure 15:	Connection of MELAdem®40 to the Vacuklav®41-B / Vacuklav®43-B	17
Figure 16:	Connection of MELAdem®40 to the Vacuquick®13-B	18
Figure 17:	Removing the filter wrench	20
Figure 18:	How to use the cartridge housing wrench.....	21

1 Method of operation of the system

MELAdem[®]40 is a water treatment system that operates according to the ion-exchange process. It is used for the complete demineralization of tap water. The cartridges contained in the filter chamber are filled with mixed-bed resin. The cartridges are disposed of after they have become depleted: they are completely exchanged upon every replacement. The MELAdem[®]40 reduces the content of salt in untreated water by approx. 95 ... 99% (depending on the degree of depletion of the mixed-bed resin). All operational processes in the MELAdem[®]40 system are controlled by means of the pressure in the tap-water line.

MELAdem[®]40 can be directly connected to a MELAG autoclave (for example, the MELAG Vacuklav[®], Vacuquick[®] or Euroklav[®] models) to automatically supply the autoclave with demineralized water. The MELAdem[®]40 can, however, also be used as a completely separate water-treatment system. The flow limit of 2 l/min must not be exceeded, however.

The MELAdem[®]40 may be installed onto the wall, in a lower cabinet, or directly at an autoclave.

If the room in which the MELAdem[®]40 water treatment system is to be installed does not have an open drain in the floor (to catch overflow), we recommend using a MELAG Waterstop valve (MELAG art-no. 01056). In the event of leaks or overflow during operation, the moisture sensors of the Waterstop valve, installed on the floor, will activate a solenoid valve to shut off the tap-water supply.

IMPORTANT: If the MELAdem[®]40 water treatment system is out of operation, the user should close off the supply of the tap water system.

2 Design of the system

The MELAdem[®]40 mixed-bed resin system is delivered in pre-assembled form. Please see *Figure 1* for a description of the individual components of the MELAdem[®]40.

IMPORTANT: It is absolutely necessary to ensure the correct flow direction of the water. Please see *Figure 2* for the position of the incoming water feed and the outgoing supply points for the MELAdem[®]40.

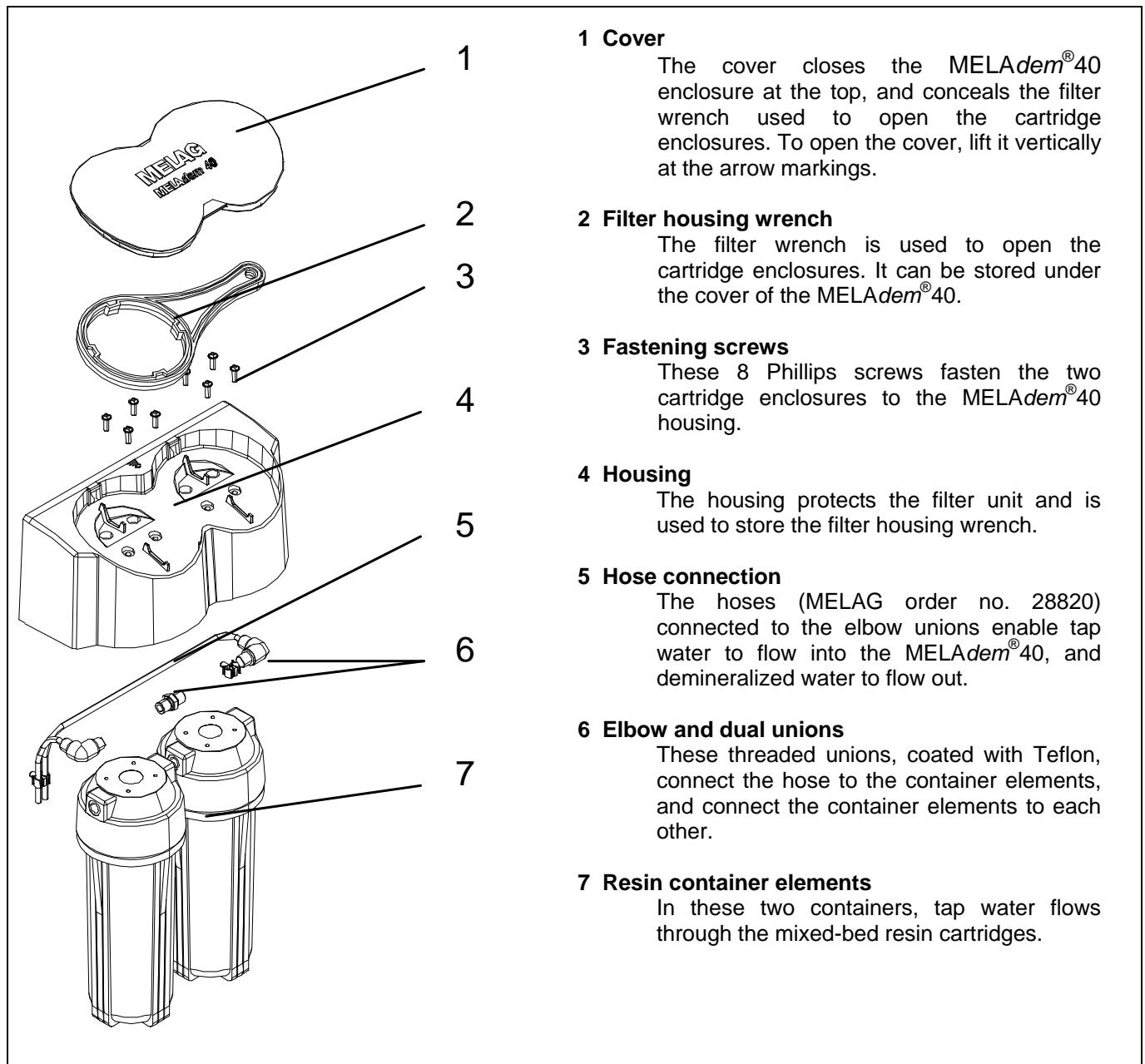


Figure 1: View of the interior of the MELAdem[®]40

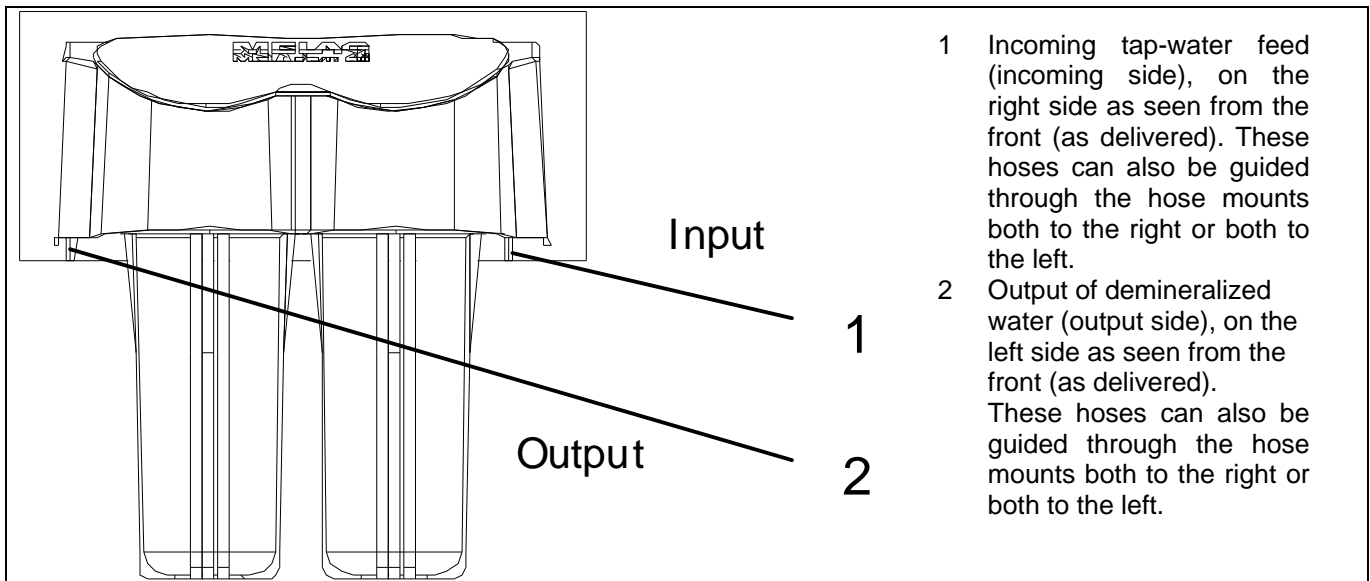


Figure 2: Incoming and outgoing positions of the hoses

3 Installation and connection of the system

3.1 Possible ways of installing and connecting the MELAdem®40

The MELAdem®40 can be installed separately onto a wall, in a lower cabinet, or directly to an autoclave. There are also different ways of connecting the MELAdem®40, depending on the type of autoclave which it feeds. We will include the required accessory parts for your particular mode of connection, in accordance with the information in your order. Please now consult the list in Section 7 below – “**7 Consumables and spare parts**” – and check to make sure that you have received all the parts in this list.

In this section (3) – “**3 Installation and connection of the system**” – you need to pay attention only to the information which applies to your case. The **GUIDE TO INSTALLATION** in the table below will help you find the information you need.

Important! Please pay attention to the following instruction: Before you set up the MELAdem®40 and connect it, please be sure by all means to read the other sections of this Operating Manual for the MELAdem®40, and be careful to follow the general instructions and warnings given there.

GUIDE TO INSTALLATION		
Type of installation	PLEASE SEE THE FOLLOWING SECTION FOR YOUR TYPE OF INSTALLATION / CONNECTION	PAGE
Wall installation	3.3 Installation of the MELAdem®40 to a wall	6
Vacuklav®40/44-B	3.4 Installation of MELAdem®40 to the Vacuklav®40-B/44-B	7
Vacuquick®14-B	3.5 Installation of MELAdem®40 to the Vacuquick®13-B / Vacuquick®14-B	9
Other MELAG Autoclaves	3.6 Installation of the MELAdem®40 onto other MELAG	11
Type of connection		
Tap water line	3.7.2 Connection to tap-water mains	11
Vacuklav®40/44-B	3.8 Connection of the MELAdem®40 to the Vacuklav®40-B / 44-B	15
Vacuquick®14-B	3.9 Connection of MELAdem®40 to the Vacuquick®14-B	16
Vacuklav®41/43-B	3.10 Connection of MELAdem®40 to the Vacuklav®41-B / Vacuklav®43-B	17
Vacuklav®13-B	3.11 Connection of the MELAdem®40 to the Vacuquick®13-B	18

The MELAdem®40 water treatment system must be installed in a clean place which is not subject to frost, and which can be properly ventilated. The connection of the components must be in accordance with the connection diagram (see the proper sections of this Operating Manual). The place of installation must be such that the MELAdem®40 water treatment system can be properly assembled and installed, operated, and later serviced and repaired.

3.2 Pressure of tap water

In order to ensure proper functioning of the system, the pressure of the tap water from the building mains must be at least 1.5 bar. The maximum tap-water pressure may not be more than 10 bar.

3.3 Installation of the MELAdem[®] 40 to a wall

Important! Be sure to use mounting systems which are suitable for your type of wall. The mounting bolts must conform to the following specifications:

- Minimum diameter of the mounting bolts: M4
- Recommended and maximum diameter of the bolts: M5
- Maximum diameter of the bolt heads (flat heads): 12 mm

Use the inner (close-standing) mounting rails for the MELAdem[®]40 (see Fig. 3, no. 1). The interval between the holes drilled in the walls must be 118 mm (please use enclosed template for drilling). Make sure that the wall can carry the weight of the system (approx. 2.4 kg). Be sure to choose the proper fastening material, in accordance with the wall: for example, bolt anchor plugs with a diameter of 6 mm.

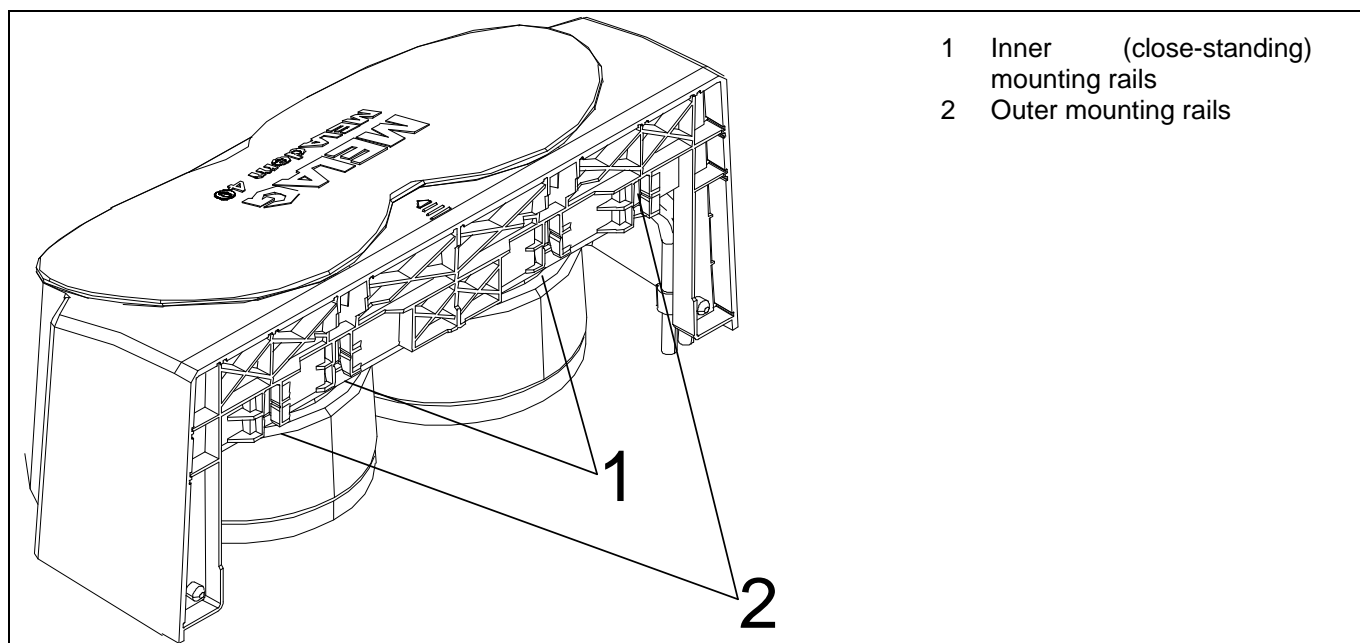


Figure 3: Types of Installation of MELAdem[®] 40

Steps to follow for installation of MELAdem[®] 40

1. **Note:** There are two modes of fastening the MELAdem[®]40: an inner and an outer mounting. If the mounts are to be fastened to the wall, be sure to use the inner mounting mode (rails 1 above) !
2. Use the enclosed drilling template to mark the points for drilling. **Important:** Be sure to mount the MELAdem[®]40 at the required height. Drill the holes in the wall. Warning: be careful of any cables or electric lines that may be in the wall !
3. Place the bolt anchor plugs into the drilled holes, and fasten the mounts to the wall (article no. 37106) by screwing in the bolts.
4. Hang the MELAdem[®]40 in place.

3.4 Installation of MELAdem[®]40 to the Vacuklav[®]40-B/44-B

To install the MELAdem[®]40 to the Vacuklav[®]40-B or to the Vacuklav[®]40-B or Vacuklav[®]44-B, the mounting fixtures have already been attached to the autoclave enclosure at the MELAG factory. If, however, these mounting fixtures are not yet on your unit, or if you wish to attach the MELAdem[®]40 to the left side of the autoclave, then please follow the instructions in Section 3.6 below. These instructions tell you how to attach the mounting fixtures yourself.

These mounting fixtures are concealed under cover pieces that can easily be removed by hand (see Figure 4). There is a notch at the lower side of these cover pieces that helps you in removing the covers. Use a flat tool or your fingernail to remove the cover pieces.

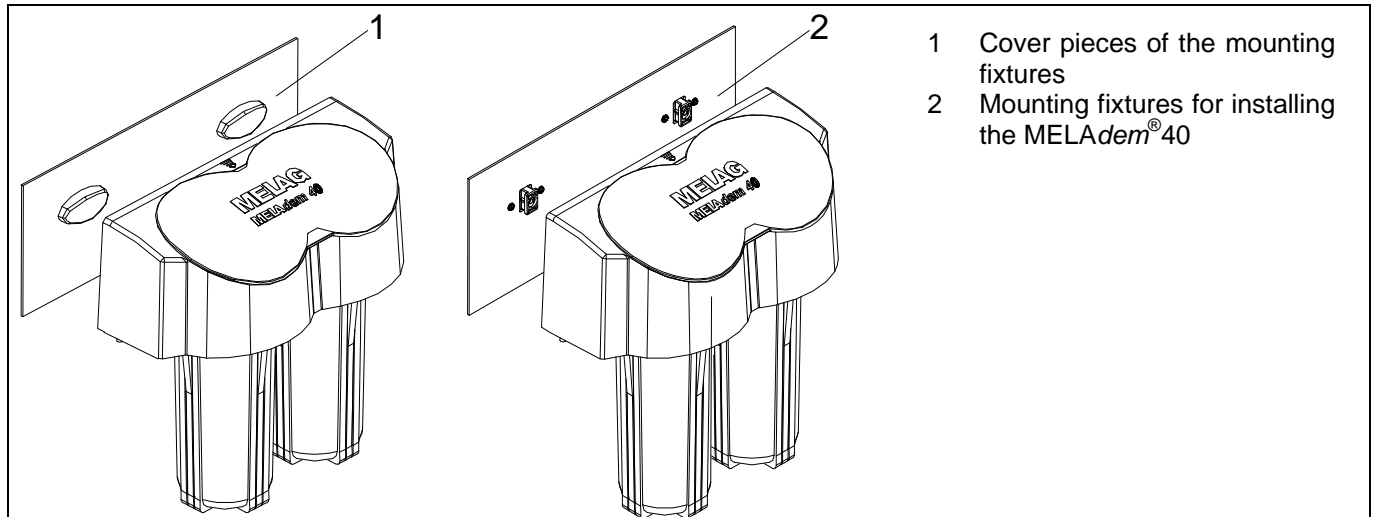


Figure 4: Removal of the cover pieces before mounting the MELAdem[®]40

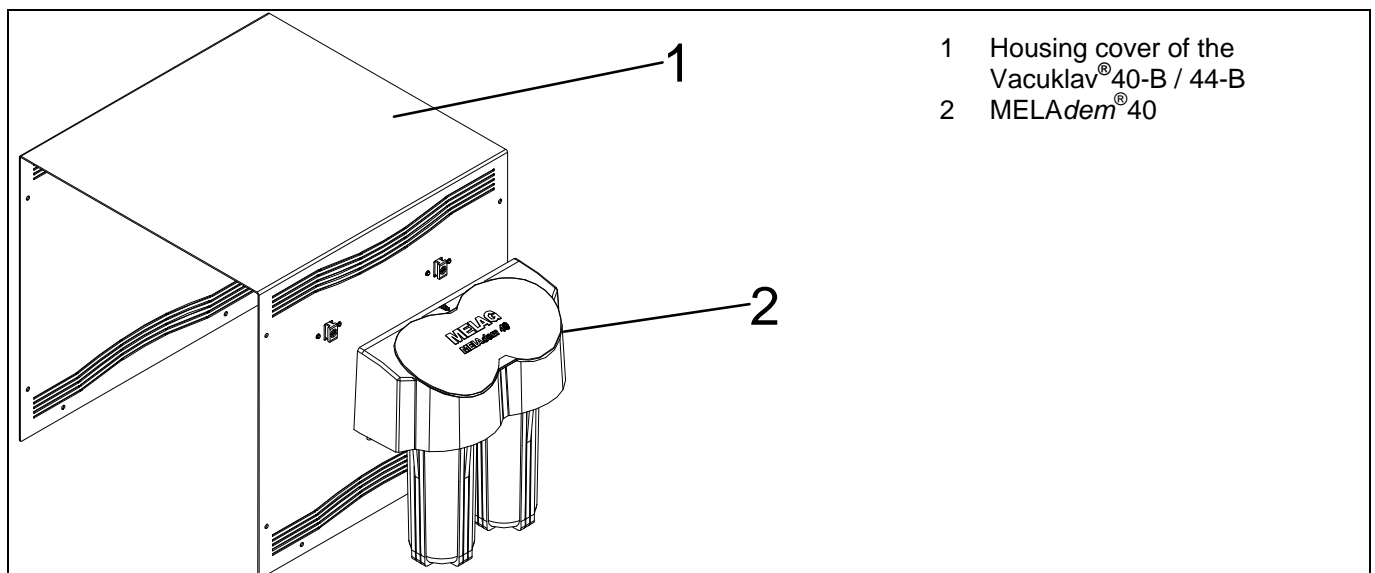


Figure 5: Position for hanging the MELAdem[®]40 to the Vacuklav[®]40-B / Vacuklav[®]44-B

Steps to follow for installation of MELAdem[®] 40

1. **Important note:** Since the mounting fixtures are already attached to the unit, it is not necessary to remove the housing from the autoclave !
2. Remove the cover pieces from the mounting fixtures, as described above .
3. Hang the MELAdem[®] 40 down into the mounting fixtures by sliding it vertically from above, and push it downward until it locks firmly into place (see Figure 5). The final position is shown in Figure 6 below.

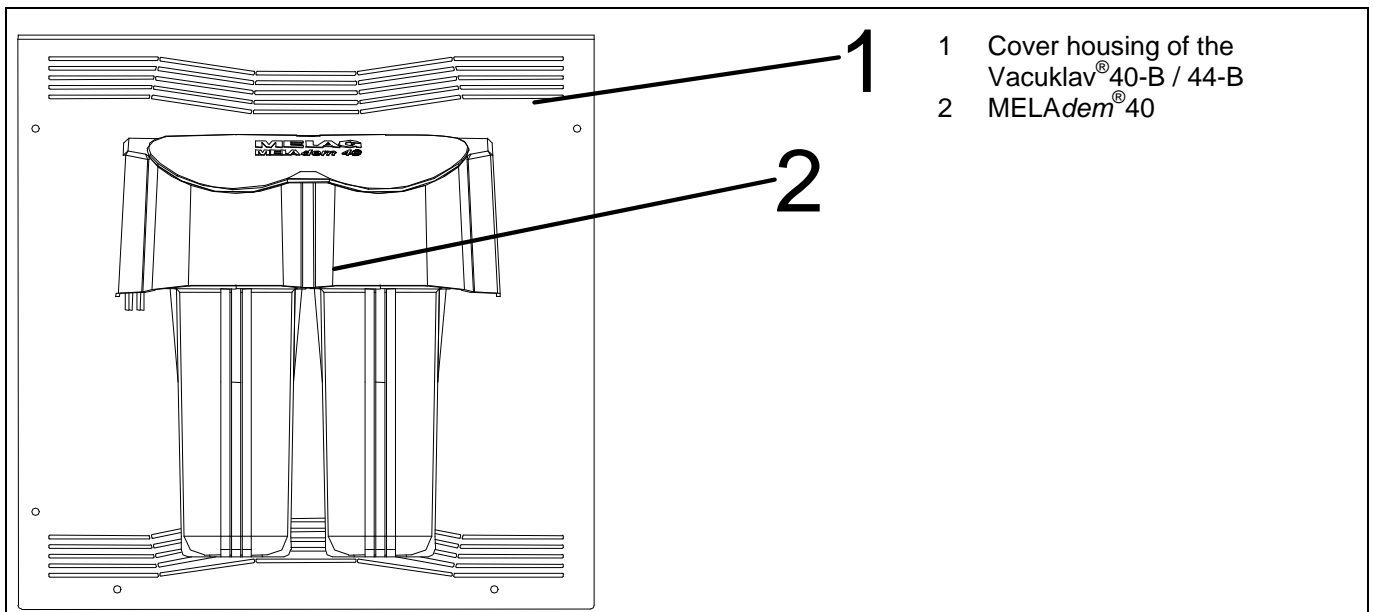


Figure 6: Correct position of MELAdem[®] 40 on the housing of Vacuklav[®] 40-B / Vacuklav[®] 44-B

3.5 Installation of MELAdem[®]40 to the Vacuquick[®]13-B / Vacuquick[®]14-B

The MELAdem[®]40, together with the Vacuquick[®]13-B / Vacuquick[®]14-B, are delivered with an adapter plate. This plate mounts the MELAdem[®]40 at a height that enables easy exchange of the cartridges. The overall height of the autoclave remains the same, since the MELAdem[®]40, together with the adapter plate, does not extend beyond the display.

The holes (2 x 4.2 mm) between the top air slots are necessary for mounting of the MELAdem[®]40. If your unit does not have these holes, please read in Section 3.6 for a description of an alternative manner of mounting.

Steps to follow for installation of MELAdem[®]40

1. **Warning:** First switch off the unit and pull out the power plug.
2. Remove the housing cover of the autoclave.
3. Press the mounting fixtures (article no. 37106) into the adapter plate (article no. 79780).
4. Use the centrally drilled holes in the mounting fixtures and the already provided holes in the enclosure to fasten the metric screws (M4, 20 mm) from the inside with tooth lock washer and nuts.
5. **Note:** The adapter plate will be pressed against the mounting fixtures, and will lock the position of the MELAdem[®]40 in correct position, only after you have hung the MELAdem[®]40 in place by vertically sliding it down securely until it locks.
6. Replace the housing cover of the autoclave.
7. Hang in the MELAdem[®]40 vertically from above, and slide it downward, until the housing of the MELAdem[®]40 locks into the mounting fixtures. See Figure 9 for the final position.

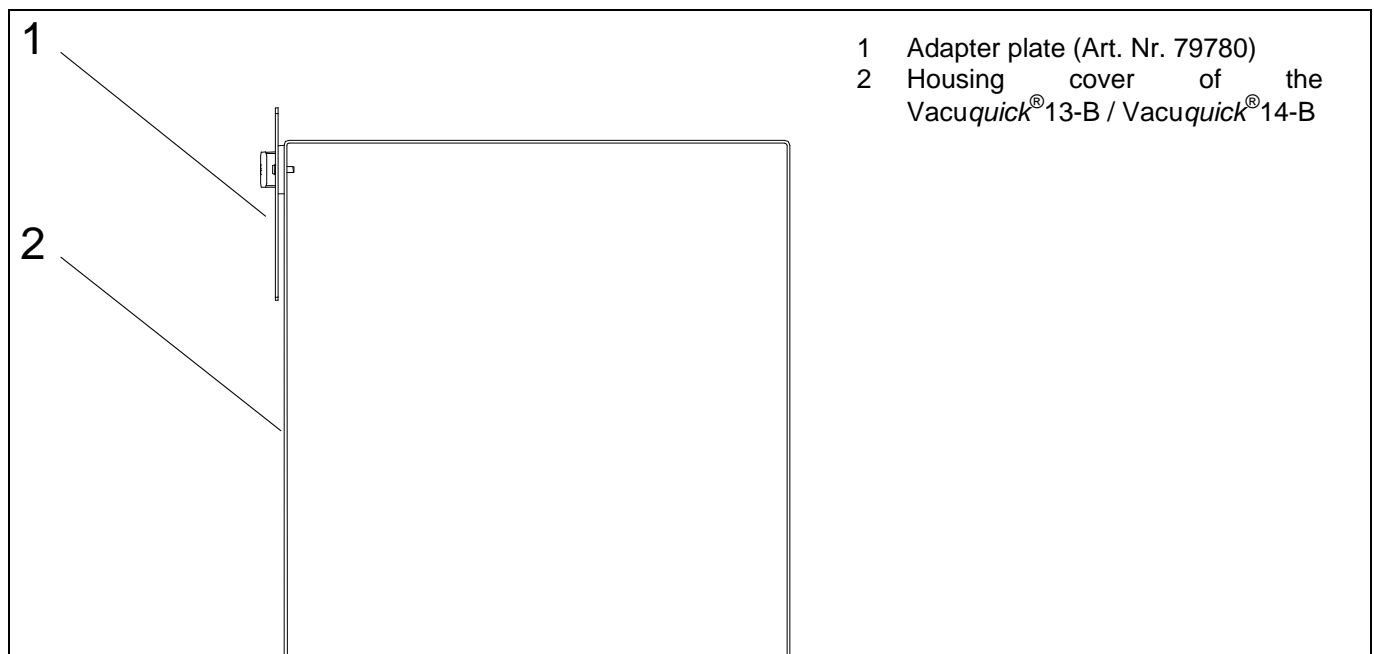


Figure 7: Housing from the rear, with mounting fixtures and adapter plate in final position

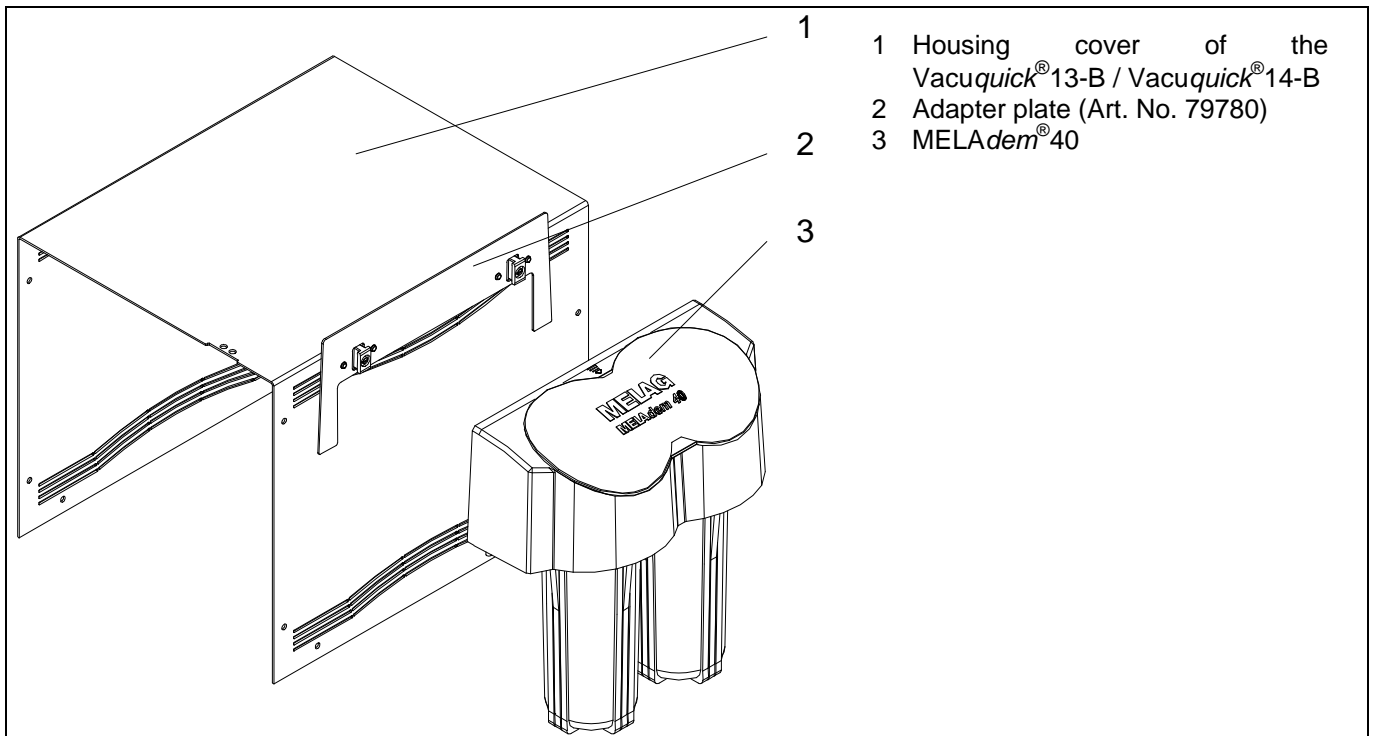


Figure 8: MELAdem® 40 before attachment to the adapter plate

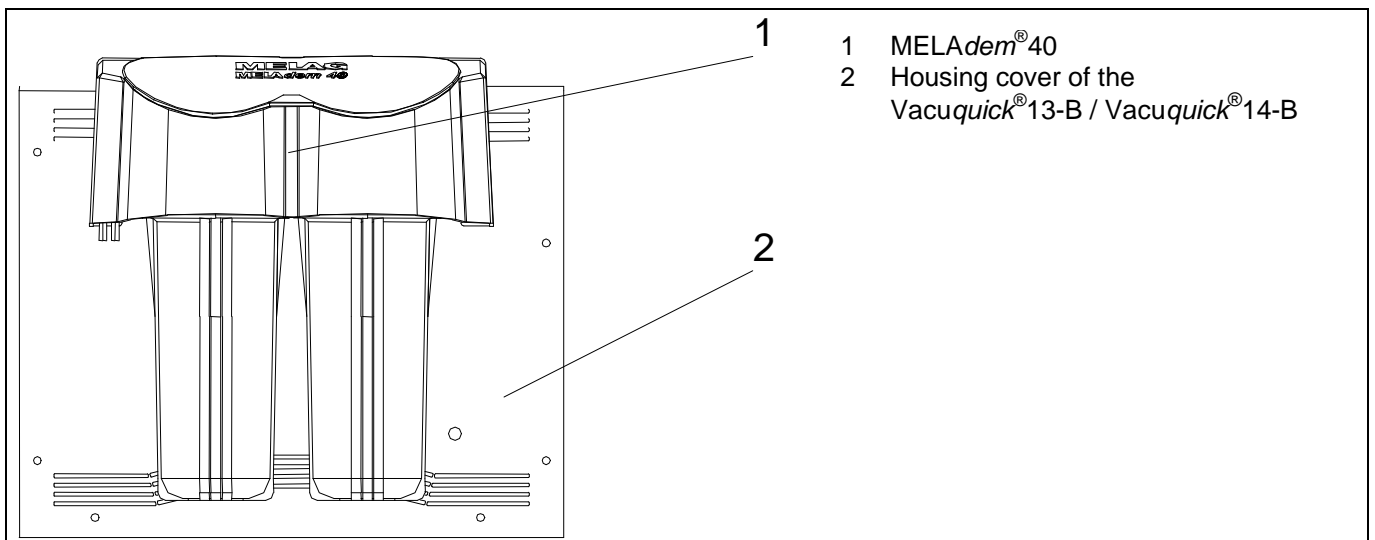


Figure 9: Correct position of the MELAdem® 40 to the Vacuquick® 13-B / Vacuquick® 14-B

3.6 Installation of the MELAdem®40 onto other MELAG autoclaves

The mounting fixtures into which the MELAdem®40 is hung can be directly attached to the autoclave housing for any other MELAG autoclaves. The procedure is similar to wall installation. The horizontal interval of the 4.2 mm holes in the housing is always 118 mm. A drilling template is provided along with the equipment: please use it to ensure that the height is correct. The sequence of installation is as follows:

Steps to follow for installation of MELAdem®40 :

1. **Warning:** First switch off the unit and pull out the power plug.
2. Remove the housing cover of the autoclave.
3. Place the drilling template onto its correct position, and drill 2 x 4.2 mm holes in the unit housing.
4. Use the centrally drilled holes in the mounting fixtures (see Fig. 10) to fasten the metric screws (M4, 20 mm) from the inside with tooth lock washers and nuts.
5. Replace the housing cover of the autoclave.
6. Hang in the MELAdem®40 vertically from above, and slide it downward, until the housing of the MELAdem®40 locks into the mounting fixtures.

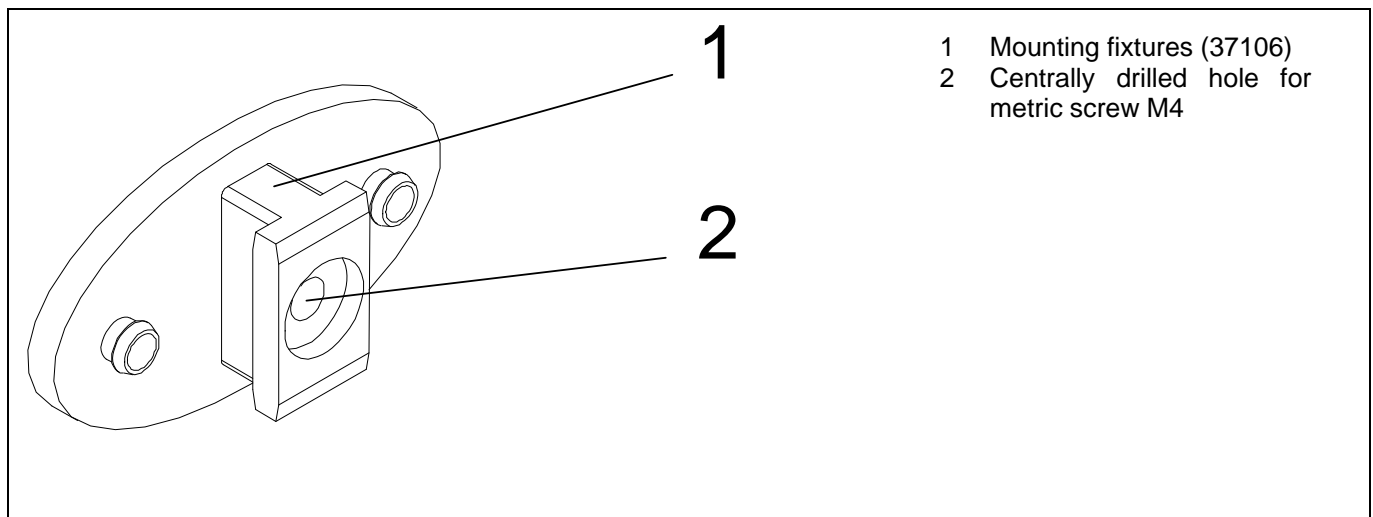


Figure 10: Mounting fixture for MELAdem®40

3.7 Connection of MELAdem®40 directly to the tap-water mains

3.7.1 Conformity with the hygienic stipulations of EN 1717

You must connect your MELAdem®40 to the tap-water mains in accordance with EN 1717, in such a manner that your system will not contaminate the drinking-water network.

For protection of a drinking-water network to which an autoclave is connected, EN 1717, Part 4, stipulates that a combination of the following two units on the rear wall of the autoclave must be installed: a return-flow inhibitor (non-return valve) together with a backsiphonage preventer. In many buildings, this protective equipment is already installed. To be sure, please consult your plumbing and installation specialists!

3.7.2 Connection to tap-water mains

In the building where the MELAdem[®]40 is installed, there must be a stop valve with a return-flow inhibitor (non-return valve) and with a 3/4" outside-thread connection, in the vicinity of the installation point. In order to support you to conform to the official stipulations in your installation of your MELAdem[®]40, regardless of the facilities in your building, we recommend one of the two models described below in Figure 11.

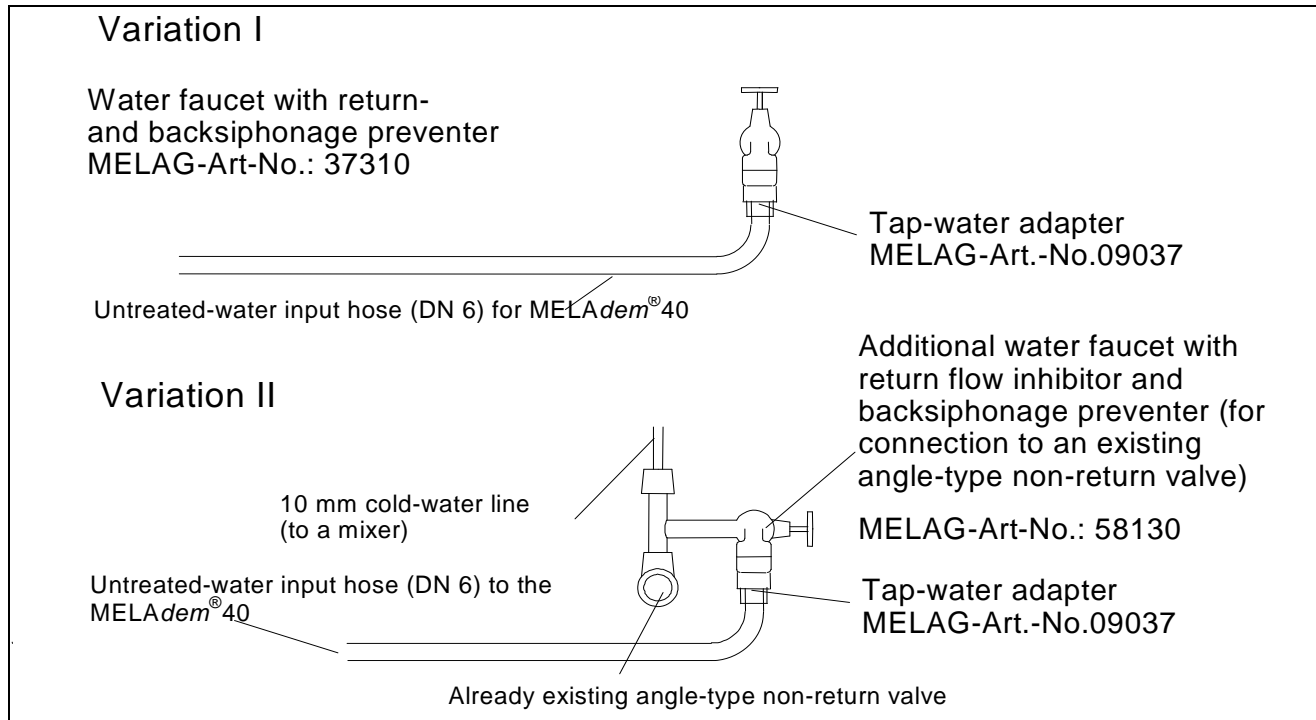


Figure 11: Two possibilities of connecting MELAdem[®]40 directly to the tap-water mains

Variation I: A separate water line (DN 15 nominal pipe size, with 1/2" coupling) already exists, or will be especially installed. Installation of a water faucet with integrated safety combination (MELAG article no. 37310).

Variation II: Cold-water connection (for example, for a sink) with an angle-type non-return valve and hose (10 mm) already exists, or will be especially installed. Installation of an additional water faucet with integrated safety combination (MELAG article no. 58130), by direct installation to an existing angle-type non-return valve.

Instructions on the hose connections for the MELAdem[®]40

Use a hose-cutter, or a sharp knife, to cut 2 pieces in the required lengths from the hose included in the delivery (article no 28820).

At the plastic fast-screw connections, use a plastic union nut to connect the hoses to the MELAdem[®]40 at the incoming water feed (this is the right connection, as seen from the front, when the printing "MELAdem[®]40" is visible). At the output water feed, this is the left connection, as seen from the front, when the printing "MELAdem[®]40" is visible. The first step is to slide the union nut onto the end of the hose. Then shove the hose until it will go no farther onto the socket of the fast-screw connections, on the right and left connections of the MELAdem[®]40. Then shove the union nuts up to the threads and screw them on finger-tight.

Make the connection of the free end of the hose to the water input, or to the consumer (depending on the installation variation selected: see Fig. 11). Use a metal fast-screw connection for this purpose. The first step here is to shove the metal union nuts onto the ends of the hoses, then push the hoses until they will go no farther onto the socket of each of the metal fast-screw connection. Then tighten the metal union nuts finger-tight, and then screw them about 1/4 turn more with an open-end (engineer's) wrench.

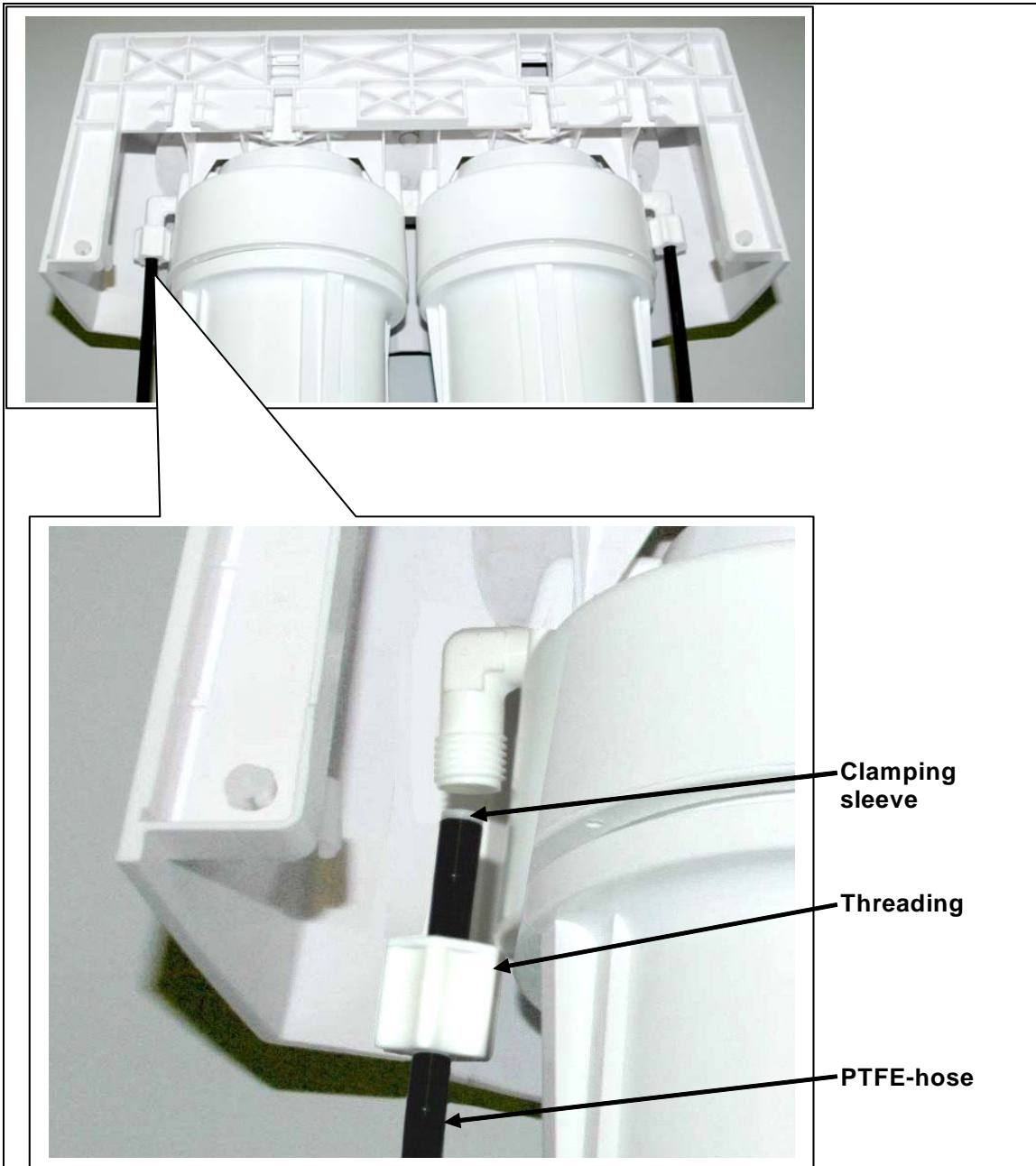


Figure 12: Threading connections of the hoses of MELAdem®40

The connection of the hoses at the MELAdem®40 to the tap water supply and to the autoclave (depends to the installation variation as mentioned in the guide to installation in chapter 3.1) is made with plastic threaded connections. The connection of the free hose ends to the water supply and the consuming device (depending on the installation version) is made by means of metal quick bolts. The metal nuts are put on the hose ends which then are pushed until touch on the respective metal quick bolts. The nuts are now screwed up by hand and finally tightened with a quarter turn by means of a wrench.

3.7.3 Installation of the water quality monitor (optional)

If the autoclave connected to the water treatment unit does not perform conductivity measurement, the quality of the fresh purified water (aqua dem) can be inspected with the control monitor for water quality. An internal conductivity measurement is integrated in MELAG autoclaves*. Therefore it is not necessary to install the control monitor.

* as for Vacuklav®, Euroklav® und Vacuquick®

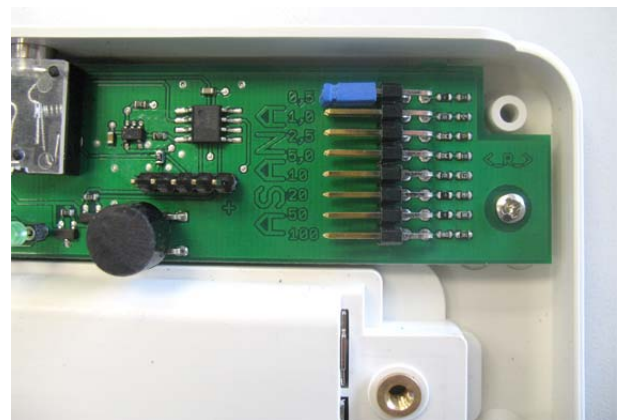
Installation of the conductivity sensor

1. Install the conductivity sensor, i.e. the T-piece with mounted conductivity probe, between the outlet side of the MELAdem®40 (fig. 2, pos. 2) and the feed water inlet to the autoclave by disconnecting the inflow hose towards the feed water inlet and inserting the T-piece.
2. Connect the cable of the conductivity sensor to the control monitor (connection "Probe").

Adjusting the conductivity limit value on the control monitor

1. The housing lid is loosely positioned on the control monitor upon delivery. Take off the housing lid.
2. The conductivity limit value is adjusted to 0.5 $\mu\text{S}/\text{cm}$ upon delivery. The blue jumper can be repositioned as needed. The numbers to the left of the PINs indicate the conductivity limit value.

Position of jumper	1	2	3	4	5	6	7	8
Limit value in $\mu\text{S}/\text{cm}$	0.5	1	2.5	5	10	20	50	100



3. Put the lid on the housing and fasten it to the bottom with the four supplied screws. Then mount the grey covering caps.
4. Insert the two supplied batteries (1.5 V AAA) into the battery compartment on the bottom of the control monitor.

Attachment of the control monitor

5. Attach the conductivity monitor to an easily accessible and well-visible place, i.e. using a double-sided adhesive tape on the rear side of the control monitor.
6. Remember that the maximum length of the connection lead is 0.8 m.

3.8 Connection of the MELAdem[®]40 to the Vacuklav[®]40-B / 44-B

The connection between the components of the system is provided by the hose delivered with the equipment (outside diameter = 6 mm; hose-wall thickness = 1 mm; MELAG article no. 28820).

Important: do not allow the plastic hose to be twisted or curled or mashed (compressed).

The MELAdem[®]40 is connected to the autoclave according to the following diagram.

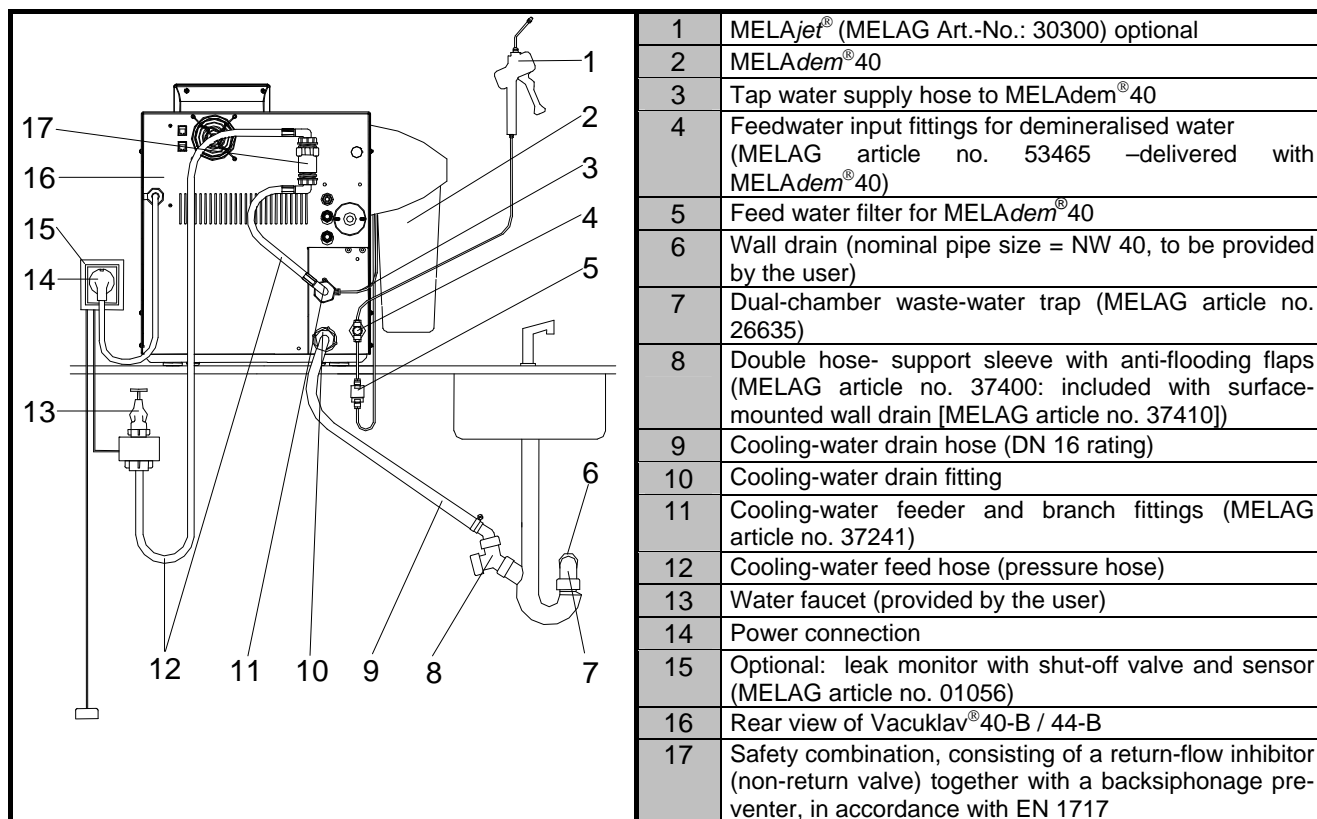


Figure 13: Connection of MELAdem[®]40 to the Vacuklav[®]40-B / 44-B

Steps to follow for installation of MELAdem[®]40

1. Make sure that the MELAdem[®]40 has been correctly attached to the autoclave, and that the mixed-bed-resin cartridges are properly installed.
2. Close the tap water line.
3. **Important Note:** Start the Vacuum Test program. Stop this program after it has run approx. 20 seconds. This will dispel the remaining water pressure in the system.
4. Unscrew the cooling-water feed hose (12) from the unit.
5. Screw the cooling-water branch fitting (11) into the unit. Screw the cooling-water feed hose (12) onto the cooling-water branch fitting (11).
6. Now attach the plastic hoses (3) to the MELAdem[®]40 (2). Attach the feed hose (11) to the MELAdem[®]40 to the left elbow fitting. Attach the output hose (3), from the MELAdem[®]40 to the autoclave, to the right elbow fitting of the MELAdem[®]40.
7. Attach the MELAdem[®] feed-water filter (5) in-line to the plastic hose.
8. Make sure that all line connections are tight, and that there are no leaks.
9. Open the tap water line.

If MELAdem[®]40 is installed directly to the water tap, we recommend using a MELAG Waterstop valve (MELAG art-no. 01056). In the event of leaks or overflow during operation, the moisture sensors of the Waterstop valve, installed on the floor, will activate a solenoid valve to shut off the tap water supply.

With the spray pistol MELAJet[®] (1) instruments can be cleaned or rinsed after disinfection with demineralized water before sterilization.

3.9 Connection of MELAdem[®] 40 to the Vacuquick[®] 14-B

The connection between the components of the system is provided by a pressure-proof hose (outside diameter = 6 mm; hose-wall thickness = 1 mm; delivered with the equipment; MELAG article no. 28820).

Important: do not allow the plastic hose to be twisted or curled or mashed (compressed).

The MELAdem[®] 40 is connected to the autoclave according to the following diagram.

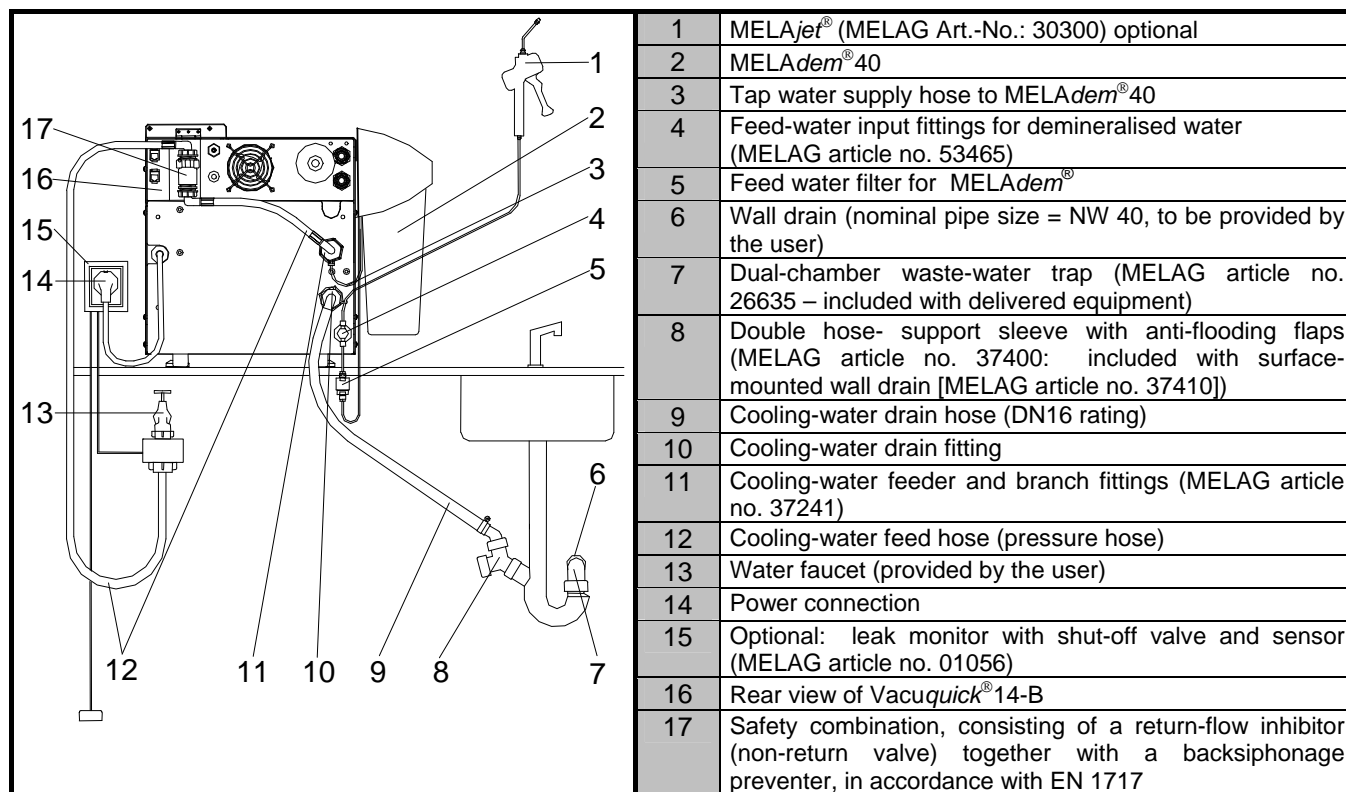


Figure 14: Connection of MELAdem[®] 40 to the Vacuquick[®] 14-B

Steps to follow for installation of the MELAdem[®] 40:

1. Make sure that the MELAdem[®] 40 has been correctly attached to the autoclave, and that the mixed-bed-resin cartridges are properly installed.
2. Close the tap water line.
3. **Important Note:** Start the Vacuum Test program. Stop this program after it has run approx. 20 seconds. This will dispel the remaining water pressure in the system.
4. Unscrew the cooling-water feed hose (12) from the unit.
5. Screw the cooling-water branch fitting (11) into the unit. Screw the cooling-water feed hose (12) onto the cooling-water branch fitting (11).
6. Now attach the hose to the MELAdem[®] 40 (2). Attach the feed hose (3) to the MELAdem[®] 40 to the left elbow fitting. Attach the output hose, from the MELAdem[®] 40 to the autoclave, to the right elbow fitting of the MELAdem[®] 40.
7. Attach the MELAdem[®] feed-water filter (5) in-line to the plastic hose.
8. Make sure that all line connections are tight, and that there are no leaks.
9. Open the tap water line.

If MELAdem[®] 40 is installed directly to the water tap, we recommend using a MELAG Waterstop valve (MELAG art-no. 01056). In the event of leaks or overflow during operation, the moisture sensors of the Waterstop valve, installed on the floor, will activate a solenoid valve to shut off the tap water supply.

With the spray pistol MELAJet[®] (1) instruments can be cleaned or rinsed after disinfection with demineralized water before sterilization.

3.10 Connection of MELAdem[®]40 to the Vacuklav[®]41-B / Vacuklav[®]43-B

The connection between the components of the system is provided by a pressure-proof hose (outside diameter = 6 mm; hose-wall thickness = 1 mm; delivered with the equipment; MELAG article no. 28820).

Important: do not allow the plastic hose to be twisted or curled or mashed (compressed).

The MELAdem[®]40 is connected to the autoclave according to the following diagram.

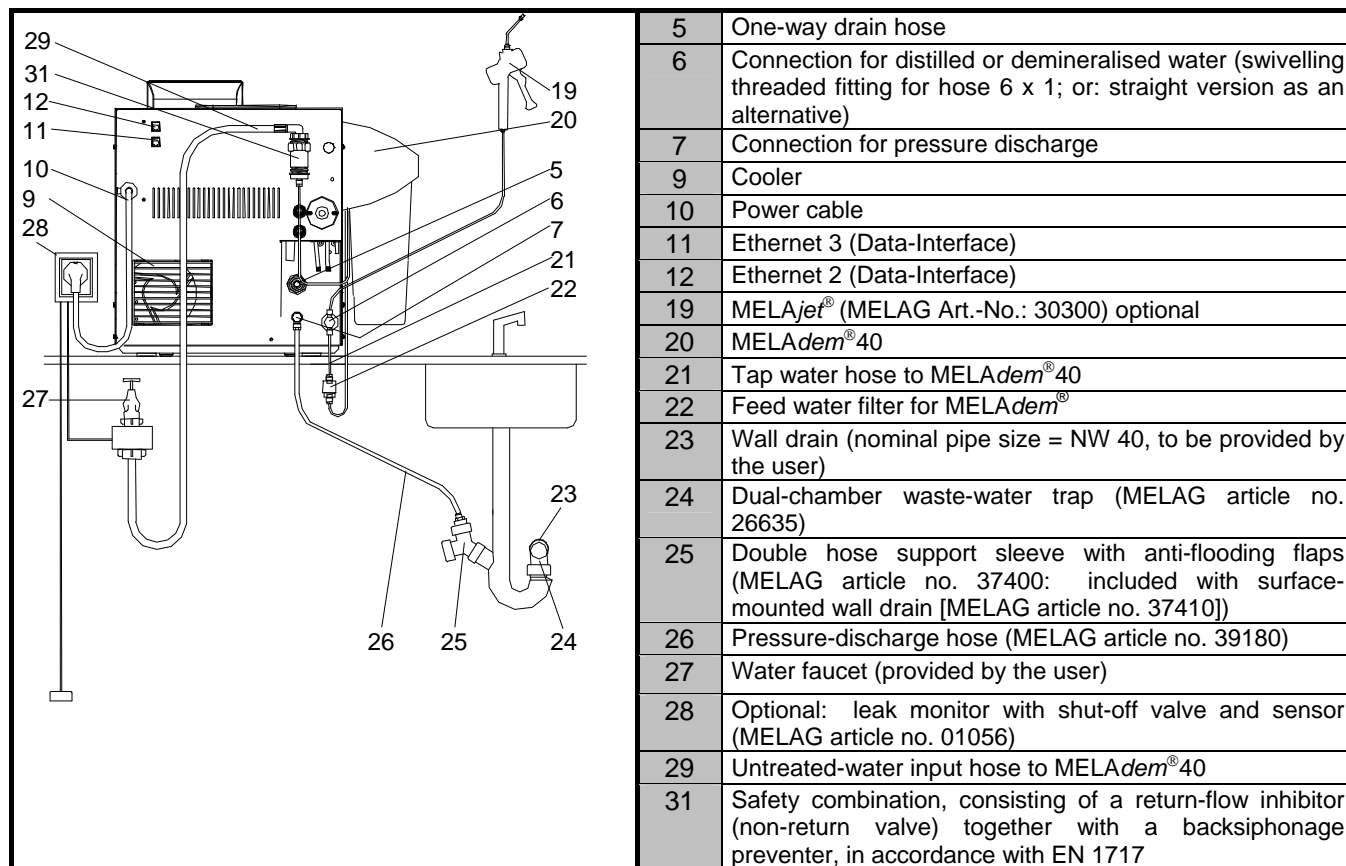


Figure 15: Connection of MELAdem[®]40 to the Vacuklav[®]41-B / Vacuklav[®]43-B

Important: Before connecting a water-treatment unit to an autoclave, be sure to empty the water-storage tank of the autoclave.

The simplest installation: disconnect the feed hose for demineralised water from the water-storage tank connection, and directly connect the MELAdem[®]40 to the feed-water input (6).

Because of the different hose diameters, please replace the feed-water fitting (6, found on the unit with standard configuration) by the following: articles no. 53430 and 21140 (also the 2 copper seals, article no. 42360, delivered with the water-connection set, article no. 42360). In this example, the drain water (used feed water) is forced by pressure directly through the one-way drain hose (MELAG article no. 39180), and into the wastewater trap.

If MELAdem[®]40 is installed directly to the water tap, we recommend using a MELAG Waterstop valve (MELAG art-no. 01056). In the event of leaks or overflow during operation, the moisture sensors of the Waterstop valve, installed on the floor, will activate a solenoid valve to shut off the tap water supply.

With the spray pistol MELAJet[®] (1) instruments can be cleaned or rinsed after disinfection with demineralized water before sterilization.

Steps to follow for installation of the MELAdem[®]40:

1. Close the tap water line.
2. Connect the untreated-water input hose (29) of the MELAdem[®]40 to the tap-water network (27).
3. Screw the untreated-water input hose (29) to threaded connection (31). If you are using the MELAjet[®] Pistol, please use the MELAjet[®] T-fitting (MELAG article no. 53465).
4. Now connect the plastic hose to the fast screw connections.
5. Make sure that all lines are tight, and that there are no leaks.
6. Open the tap water line.

3.11 Connection of the MELAdem[®]40 to the Vacuquick[®]13-B

The connection between the components of the system is provided by the pressure-proof hose delivered with the equipment (outside diameter = 6 mm; hose-wall thickness = 1 mm; MELAG article no. 28820).

Important: do not allow the plastic hose to be twisted or curled or mashed (compressed).

The MELAdem[®]40 is connected to the Vacuquick[®]13-B / Vacuquick[®]14-B as shown in the following diagram.

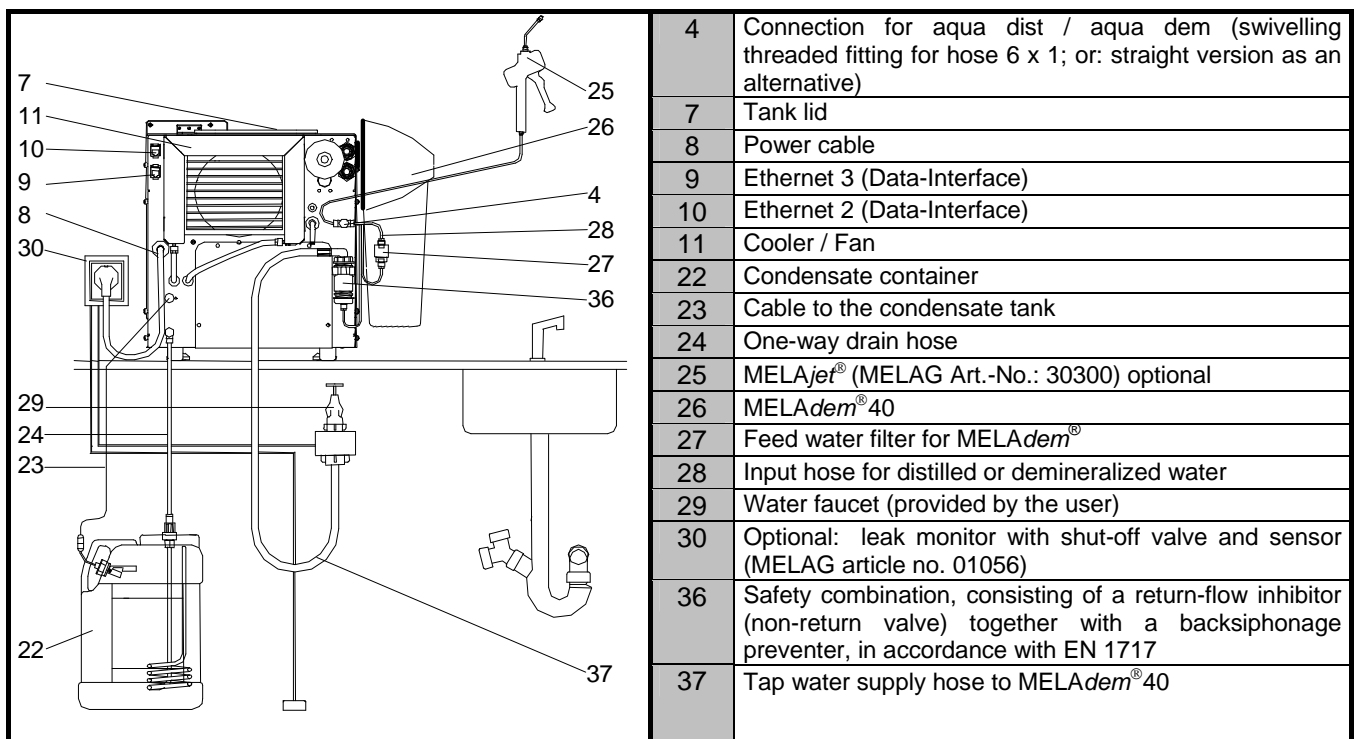


Figure 16: Connection of MELAdem[®]40 to the Vacuquick[®]13-B

Important: Before connecting a water-treatment unit to an autoclave, be sure to empty the water-storage tank of the autoclave.

The simplest installation: disconnect the feed hose for demineralised water from the water-storage tank connection, and directly connect the MELAdem[®]40 to the feed-water input (6).

Because of the different hose diameters, please replace the feed-water fitting (6, found on the unit with standard configuration) by the following: articles no. 53430 and 21140 (also the 2 copper seals, article no. 42360, delivered with the water-connection set, article no. 42360). In this example, the drain water (used feed water) is forced by pressure directly through the one-way drain hose (MELAG article no. 39180), and into the wastewater trap.

If MELAdem[®]40 is installed directly to the water tap, we recommend using a MELAG Waterstop valve (MELAG art-no. 01056). In the event of leaks or overflow during operation, the moisture sensors of the Waterstop valve, installed on the floor, will activate a solenoid valve to shut off the tap water supply.

With the spray pistol MELAJet[®] (1) instruments can be cleaned or rinsed after disinfection with demineralized water before sterilization.

Steps to follow for installation of the MELAdem[®]40:

1. Close the tap water line.
2. Connect the untreated-water input hose (37) of the MELAdem[®]40 to the tap-water faucet (29).
3. Screw the untreated-water input hose (37) of the MELAdem[®]40 to threaded connection (36). If you are using the MELAJet[®] Pistol, please use the MELAJet[®] T-fitting (MELAG article no. 53462).
4. Now connect the plastic hose (28) to the fast screw connections.
5. Make sure that all lines are tight, and that there are no leaks.
6. Open the tap water line.

4 Putting into operation

First carefully install the components. This includes the following: Install the new mixed-bed-resin cartridges by following the instructions for exchanging the cartridges (see Section 5.1.1 below). Then hook up the threaded hose connections. Then place the MELAdem[®]40 into operation by carrying out the following steps:

- Open the tap water line and check if the MELAdem[®]40 has no leaks and that all hoses are connected tight.
- The first filling of the MELAdem[®]40 takes approx. 5 minutes (depending on water pressure from the tap). This first filling is necessary to provide enough treated water for the autoclave or another consumer (for example, a MELAJet[®]).
- Before first putting into operation, and after changing the mixed-bed-resin cartridges, be sure to run one empty sterilization cycle with the autoclave, before the first full run with instruments in the machine.

5 Maintenance instructions

Be sure to perform the following maintenance work, in the time intervals given below, to assure satisfactory functioning of the system:

Interval	Maintenance work
Daily	Check the demineralised water with a conductivity measuring unit, the conductivity monitor, or by the built-in conductivity measuring unit in an autoclave
6 months	Check the hoses and threaded connections to make sure that they do not leak. Check the hoses to make sure that they are not kinked (twisted), and that they are not mashed (compressed). Make sure the hoses have not become brittle with age.
As needed	Exchange the resin in the container element after you have used approx. 120 litres of demineralised water from the unit. The exact amount will depend on the quality of the tap water. If the MELAdem [®] 40 is connected to an autoclave with a conductivity sensor (e.g., from the Vacuklav [®] / Euroklav [®] / Vacuquick [®] lines), then the indicator on the autoclave display will show when the resin in the cartridge must be exchanged.

5.1 Exchanging the mixed-bed-resin cartridges

5.1.1 Complete exchange of the mixed-bed-resin cartridges

When the mixed-bed resin becomes exhausted, the output water quality will become poor. Exchange both of the mixed-bed-resin cartridges as follows:

- Close off the supply of tap water (i.e., turn off the faucet)
- **Warning! Important for pressure release:** If the system is connected to an autoclave from the Vacuklav[®] / Euroklav[®] / Vacuquick[®] lines, start the program "Vacuum test". Then interrupt the program after approx. 20 sec. by pressing the Start/Stop button. These measures will release the water pressure remaining in the systems. If the water-treatment system is not connected to an autoclave, then normal delivery of the water to the MELAjet[®] will release the water pressure.
- Remove the cover of the MELAdem[®] 40 to gain access to the filter wrench.
- Remove the wrench from the MELAdem[®] 40 (see Figure 17).

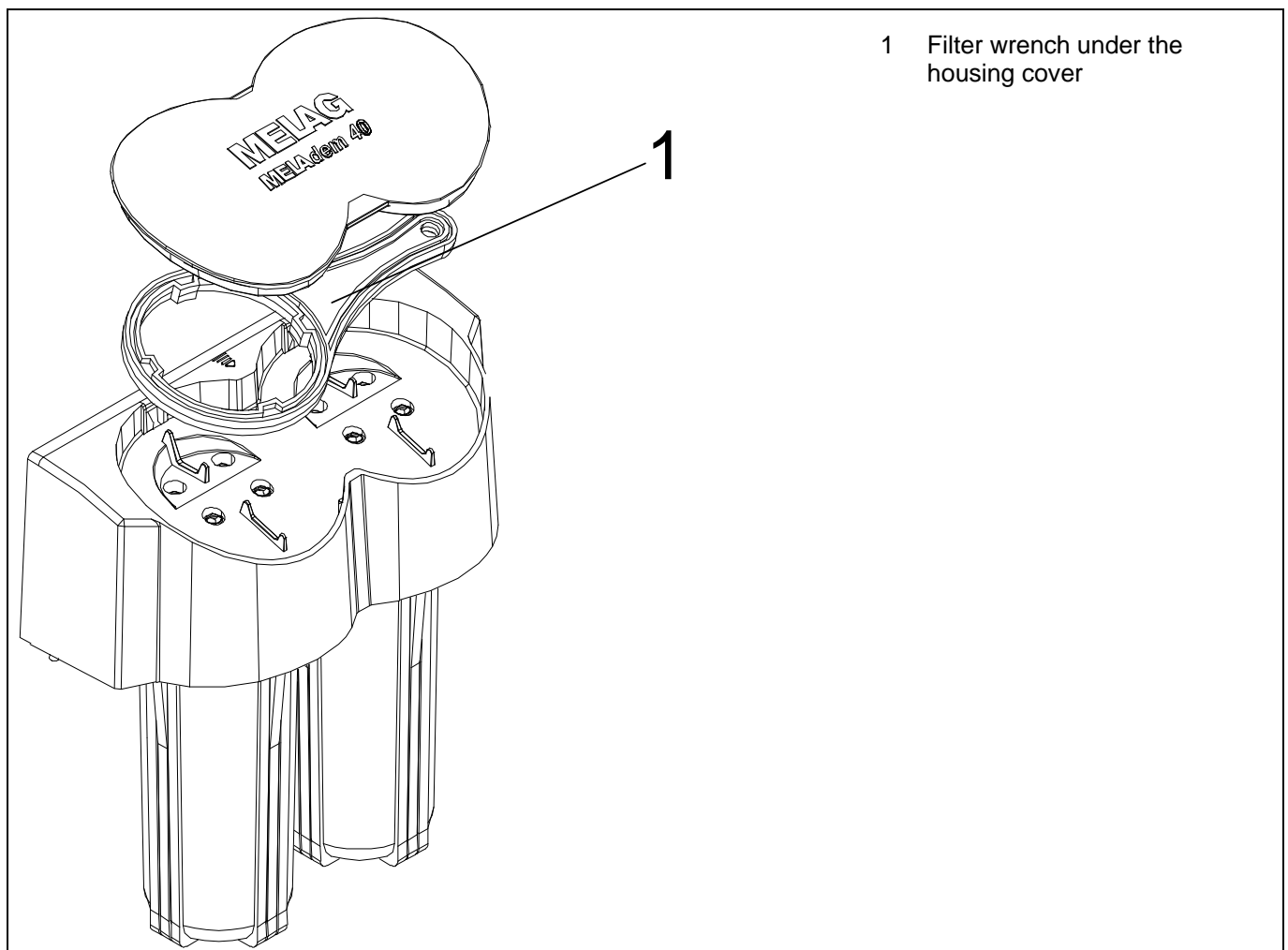


Figure 17: Removing the filter wrench

- Slide the wrench from the bottom onto the filter enclosure, and move it up toward the top as far as will go. Allow it to lock into place there. Open each of the container elements by turning the wrench clockwise (as seen from above): see Figure 18). As soon as the container elements can be easily turned, you can remove the wrench and unscrew the elements by hand for the last turns..
- Now pull the container elements off, toward the bottom. **Caution: the container elements can be completely full of water.** Then remove the depleted mixed-bed-resin cartridges. You can dispose of them as normal domestic waste.
- Rinse out the container elements thoroughly under flowing water.

- Remove the new cartridges from their plastic bags and place them vertically standing into the container elements
- Replace the filter wrench in the compartment under the cover of the MELAdem[®]40

5.1.2 Safe and water-tight closing of the cartridge housings

If you screw the cartridge housings (1) of the filters into the MELAdem[®]40 check if the complete system is water-tight. Take care for the hoses, the threaded connections and the MELAdem[®]40 housing.

For fastening the cartridge housings you must only use the wrench (2) delivered with MELAdem[®]40.

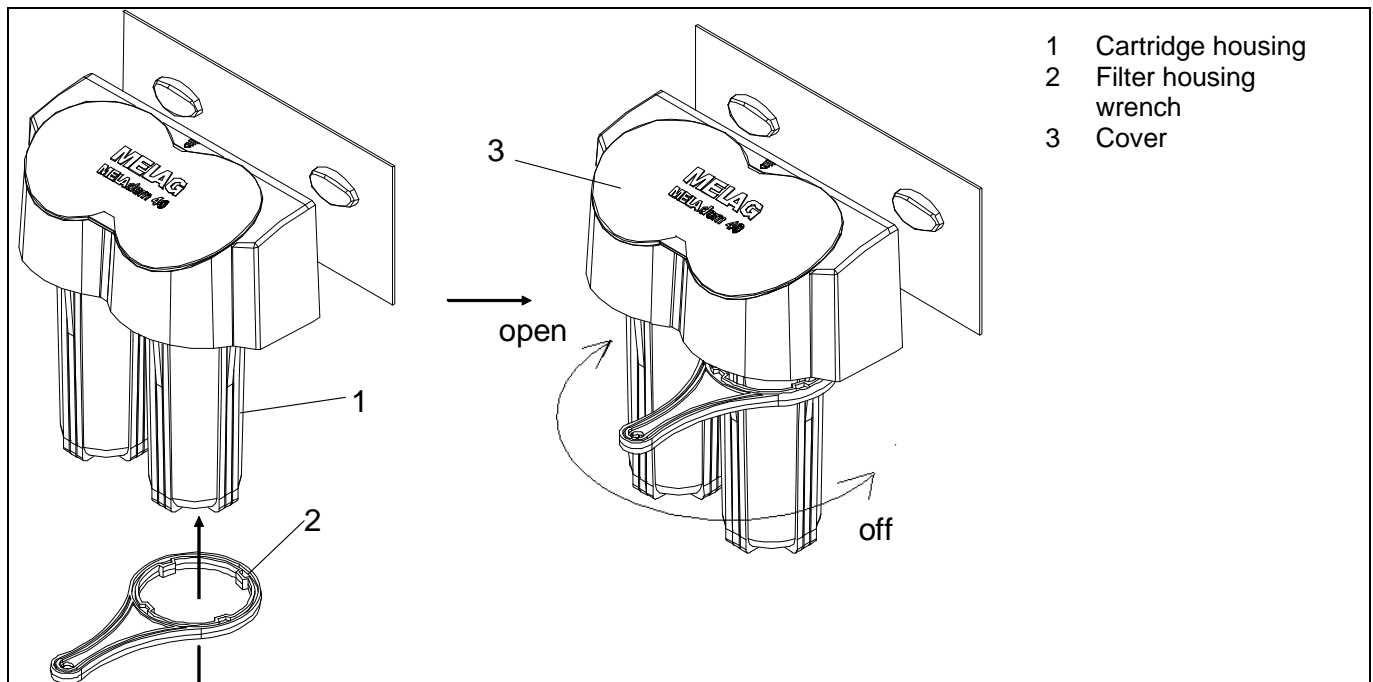


Figure 18: How to use the cartridge housing wrench

The safe and water-tight closing of the cartridge housings (1) has to be done as following:

- Screw the cartridge housing (1) in by hand first and then use the cartridge housing wrench (2), in order to tighten the cartridges gently (rotation anti-clockwise, as seen from above).
- Replace the filter wrench in the compartment under the cover (3) of the MELAdem[®]40.
- Check to make sure that all parts are tight.
- Open the tap water line.
- Check if the system is water-tight.
- Your MELAdem[®]40 is now ready for operation again.

6 Technical data

Incoming untreated water	Tap water
Bacteriological quality	Pure water
Capacity	app. 115 l for 700 µS/cm tap water quality
Max capacity of float	For max. 2 Litres / min not higher than 40 µS/cm
Tap water pressure min/max.	1.5 bar to 10 bar
Tap water temperature min/max.	5°C to 40°C
Tap water PH-value min/max.	5.0 bis 9.0
Maximum permissible salt content in untreated water	1500 ... 2000 mg/l
Capacity of resin	Content app. 2 x 0.7 Litres (1.4 Litres)
Dimensions of MELAdem®40	H: 35,0 cm B:31,5 cm T:15,5 cm
Total weight of MELAdem®40 (filled)	app. 2.4 kg

7 Consumables and spare parts

Consumables		
61026	1	2 Cartridges, filled with ion exchange resin
Spare parts		
61030	1	Connector 1/4" , PVC
61040	2	Elbow screw fitting 90°, 1/4" with nut
61050	1	Cartridge housing wrench
16070	2	Hose clamp
37475	1	Clamping sleeve on order to fixing hoses at the MELAdem®40 (bushing)
Connection sets and fittings for the various models		
09031	1	Connection set* MELAdem®40 to the Euroklav®
09033	1	Connection set* MELAdem®40 to the Vacuklav®23-B / 31-B / 41-B / 43-B / Vacuquick®13-B
37241	1	Connector for MELAdem®40 to the Vacuklav®24-B / 30-B / 40-B / 44-B / Vacuquick®14-B
09037	1	Tap water adapter MELAdem®40 for direct connection to water faucet
*The safeguard combination EN 1717 is not included in the connection set		
Optional accessories		
45008	1	Control monitor water quality
01060	1	MELAtest®60
37310	1	Water faucet with integrated safeguard combination set
58130	1	Water faucet ¾" with integrated safeguard combination set, for direct installation to an existing angle-type non-return valve
01046	1	Drain connection set
30300	1	MELAJet®
37106	1	2 Mounting fixtures to connect MELAdem®40 to an autoclave or at the wall